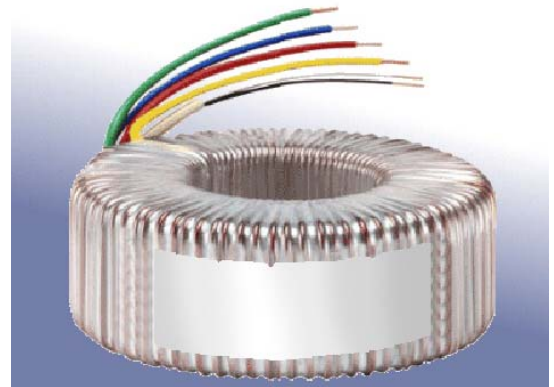


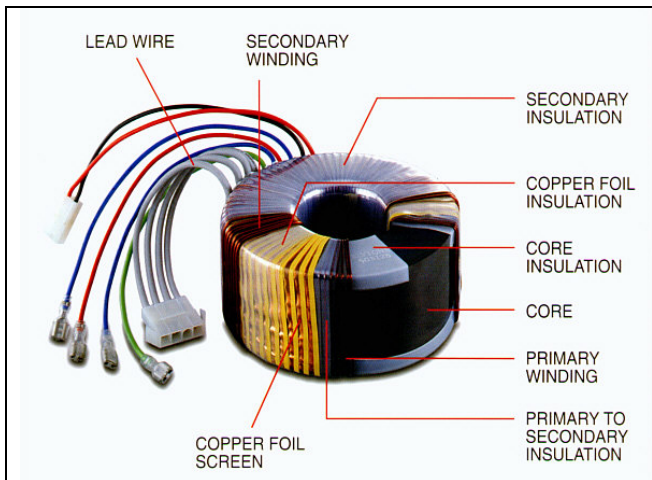
## SRT Series

- Unique True Torus Core Design
- CSA, and UL Approvals
- Customised Designs
- Very Low Flux Leakage
- High Efficiency

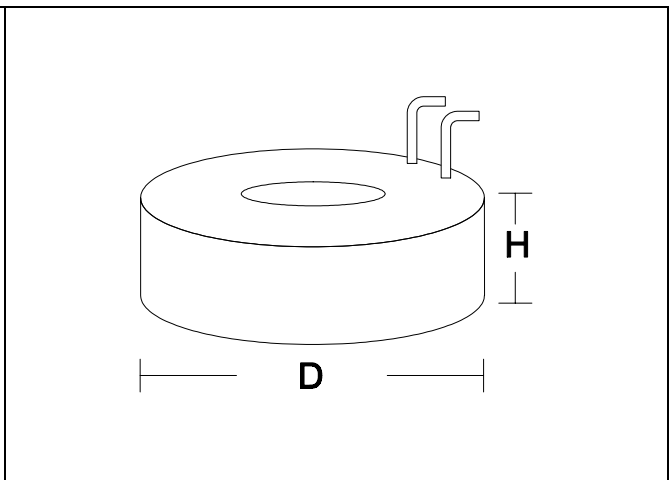


The SRT series is our latest development in toroidal transformers. They differ in design from traditional toroidal transformers as the advanced core construction produces characteristics similar to that of R-cored transformers. The improved rounded section of the core leads to a substantial reduction in flux leakage, therefore vigorously improving the units performance.

### TYPICAL CONSTRUCTION



### DIMENSIONS



Type	Capacity (VA)	Eff. %	H max. (mm)	D max. (mm)
SRT30	30	78	31	78
SRT40	40	81	35	82
SRT50	50	84	36	84
SRT80	80	86	40	86
SRT100	100	88	45	95
SRT200	200	90	58	112
SRT300	300	93	66	125
SRT400	400	94	72	136

Type	Capacity (VA)	Eff. %	H max. (mm)	D max. (mm)
SRT500	500	95	78	143
SRT600	600	96	82	149
SRT700	700	96	85	151
SRT800	800	97	87	156
SRT900	900	98	89	158
SRT1000	1000	98	92	159
SRT1200	1200	98	96	163
SRT1500	1500	98	102	168