

# ECM Crystal Oscillator

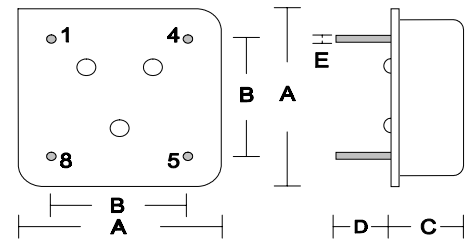
## GBS303 Series

- 250kHz – 125.0MHz
- Half Size
- Output Enable
- 3.3V Supply Available
- Competitive Prices for Volume Users
- Fast Make Options Available

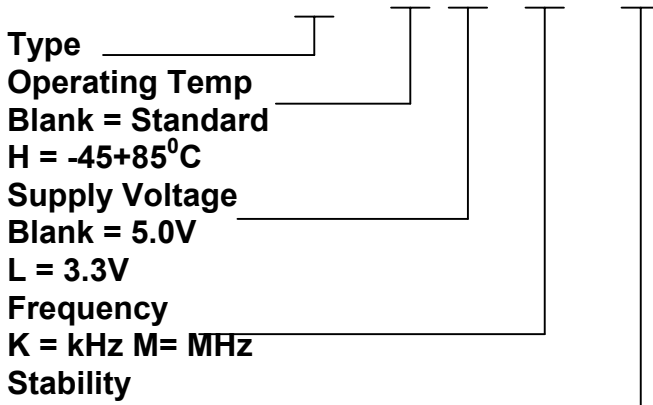


Parameter	GBS303	
Frequency Range	250kHz to 125.0MHz	
Frequency Stability	+/-25ppm (A) +/-50 ppm (B) +/-100 ppm (C)	Specify
Supply Voltage	5V +/-10% 3.3V +/-10% (L)	Specify
Supply Current	20 to 80mA max Frequency Dependant	
Load	15pF	
Duty Cycle	45 / 55	
Rise & Fall Times	10nS max Frequency Dependant	
1 Level	VDD -0.5V min	
0 Level	VSS +0.5V max	
Ageing	+/-5ppm / year	
Operating Temp	0°C to +70°C -45°C to +85°C (H)	Standard Specify
Storage Temp	-55°C to +125°C	

Environmental & Mechanical	
<b>Mechanical Shock</b>	50m/s <sup>2</sup> 11mS Duration
<b>Thermal Shock</b>	-55 +125°C duration 10 mins 3 cycles
<b>Vibration</b>	10-55Hz / 0.762mm Duration 2 Hours
<b>Hermetic Seal</b>	All units 100% tested in de-ionised H <sub>2</sub> O



### Part Numbering GBS303 H L 16.384M B



Pin	1	4	5	8
Function	O/E	GND	O/P	VDD

A	B	C	D	E
12.70	7.62	5.08	6.30	0.45

Dimensions in mm