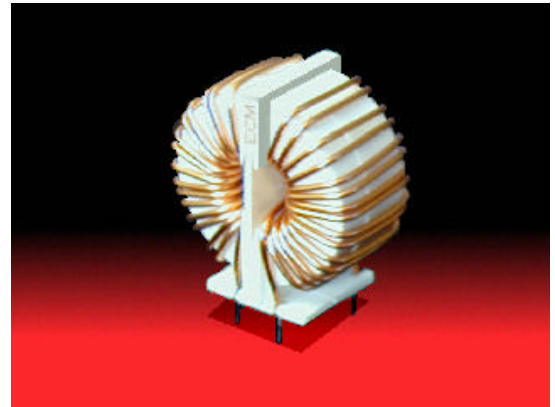


ECM Common Mode Line Filters

LF Series

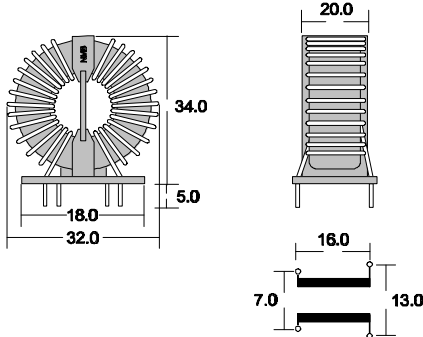
- Line Filter Up To 15 Amps
- Fully Encapsulated Core
- 100% Customised Design
- Low Cost
- Typical Pack Size 1000pcs



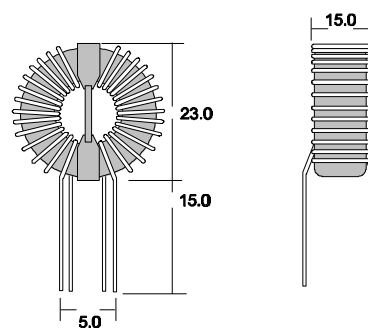
This range of common mode inductors comes in six basic package configurations in addition many other customised interpretations can also be developed to suit a customers specific needs. The LFLV or LFLH types offer the highest current characteristics (200uH @ 15 Amps), while the 'U' core construction of the LFU type give higher inductance values (30mH @ 0.4 Amps).

COMPONENT OUTLINE AND DIMENSIONS (mm)

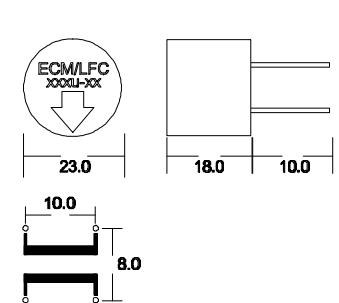
LFLV



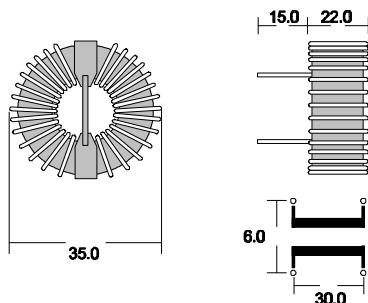
LFV



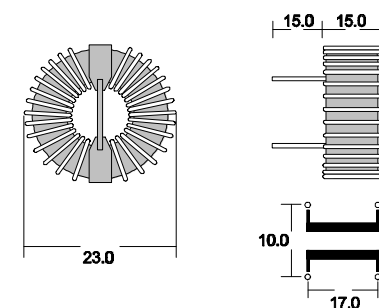
LFC



LFLH



LFH



LFU

