

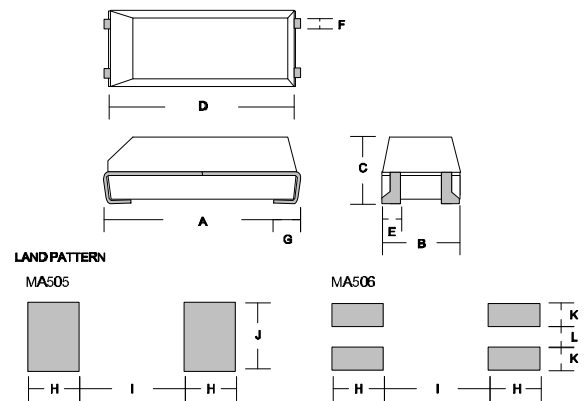
ECM Surface Mount Crystal

Epson MA505 / 506

- In Depth Stock
- Standard Frequencies
- Competitive Prices For Volume Users
- Custom Options Available
- Tape & Reel or Bulk Packaging

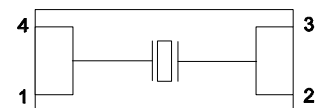


Parameter	MA505 / MA506	
Frequency Range	4.00MHz to 30.000MHz 26.001MHz to 64.000MHz	Fund 3 rd O/T
Calibration Tolerance @25°C	+/- 50ppm standard	
Temperature Tolerance	+/- 50ppm below 5.5MHz +/- 30ppm above 5.5MHz	
Operating Temperature	-20°C to +70°C other options available	Specify
Storage Temp	-55°C to +125°C	
Load Capacitance	10pf to ∞ or Series	Specify
ESR	80Ω to 150Ω Frequency Dependant	
Shunt Capacitance	5.0pf max	
Drive Level	2.0mW max 10μW to 100μW Recommended	
Ageing	+/- 3ppm First Year	

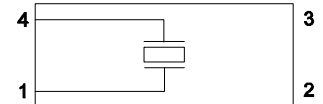


INTERNAL CONNECTIONS

MA505



MA506



A	B	C	D	E	F
13.46	5.08	4.6	12.7	1.09	0.8

G	H	I	J	K	L
2.54	4.1	7.0	5.6	2.1	1.5

Dimensions in mm

Standard Frequencies in MHz.

3.579545	8.192	18.432
3.6864	9.8304	19.6608
4.00	10.00	20.00
4.032	10.752	22.1184
4.096	11.0592	24.00014
4.194304	12.00	24.576
4.433619	12.288	28.224
4.9152	14.31818	29.4912
6.00	14.7456	32.00
6.144	15.36	32.768
7.3728	16.00	35.2512
7.68	16.384	40.32
8.00	16.9344	56.448

ECM Electronics Limited, Penmaen House, Ashington, West Sussex, RH20 3JR, UK
Tel: +44(0)1903 892810: Fax: +44(0)1903 892738. Email: ecm@ecmelectronics.co.uk

Although we have attempted to accurately reflect the products we market. ECM reserve the right without prior notice to discontinue any product or make design changes we believe necessary.